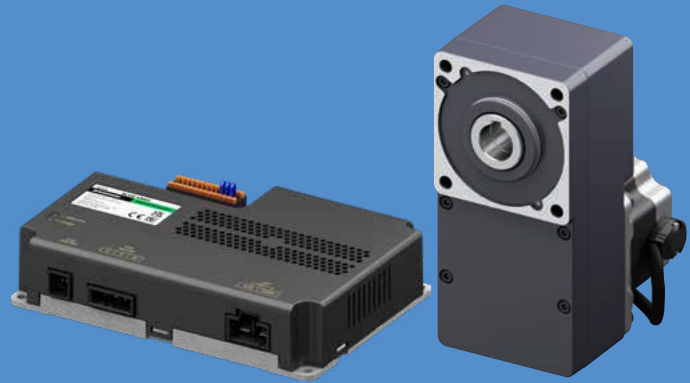


## BLV Series R Type

24 VDC Input 400 W-Compatible Drivers **NEW**

24 VDC Input 400 W Power Supply Cable **NEW**



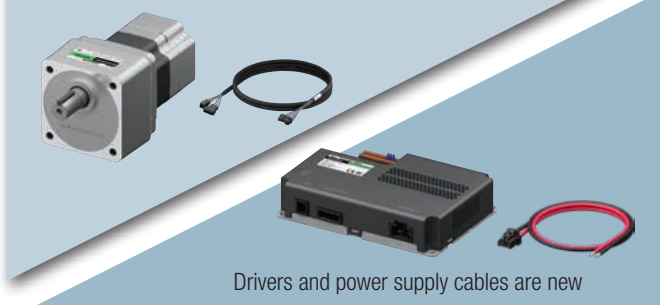
Allows for system unification of battery power supply and sensor, etc. to 24 VDC.  
Contributes to overall space saving and cost reduction of equipment.

### Addition of Support for 24 VDC Input 400 W

24 VDC input 400 W-compatible drivers are now available.

Power Supply Voltage	Motor Output Power			
	60 W	100 W	200 W	400 W
24 VDC	●	●	●	New!
48 VDC	●	●	●	●

Motors and connection cables are common with the 400 W version



Drivers and power supply cables are new

### Unified 24 VDC Control and Power Supply

#### Point 1 Unified 24 VDC

The systems that comprise automated transportation robots, such as battery power supply and sensors, can be unified to 24 VDC.

#### Point 2 Space Saving/Equipment Weight Reduction

For a 48 VDC system, four 12 VDC batteries are needed, while just two can be used for a 24 VDC system.

This contributes to space saving and weight reduction of the equipment.

#### Point 3 Cost Reduction

This allows for a reduction in the number of battery power supplies, which helps reduce costs.



### Ideal for Driving Automated Transportation Robots

#### Point 1 Stable Operation from 1 r/min

- Broad speed control range of 1~4000 r/min. Stable operation is possible even at low speeds.
- Acceleration and deceleration time can be set from 1 ms to enable smoother velocity compensation.

#### Point 2 Acquisition of Current Position

- The current position can be acquired with enhanced motor feedback information.
- Improved resolution allows the motor to stop at the target position.

#### Point 3 Wider Range of Operating Voltages

A wider range of operating voltage supports real world battery use.



## Product Line

◇24 VDC 400 W-Compatible

Product Name

**BLVD-KBRD**

◇24 VDC 400 W Power Supply Cable

Product Name

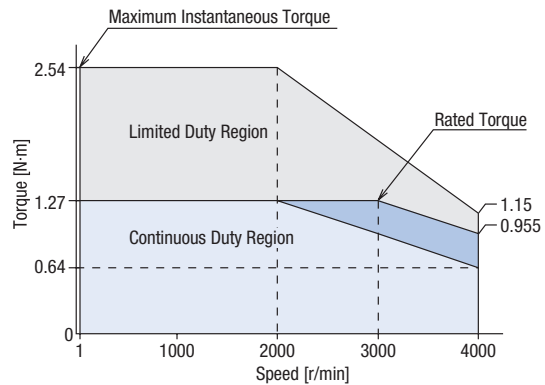
**LC02D06B**

## Specifications

Rated Output Power	400 W	
Power Supply Input	Rated Voltage	24 VDC
	Permissible Voltage Range	15–40 VDC
	Rated Input Current	20 A
	Max. Input Current	31 A
Rated Torque	1.27 N·m	
Maximum Instantaneous Torque	2.54 N·m	
Rated Speed	3000 r/min	
Speed Control Range	1~4000 r/min	

Modbus (RTU) 

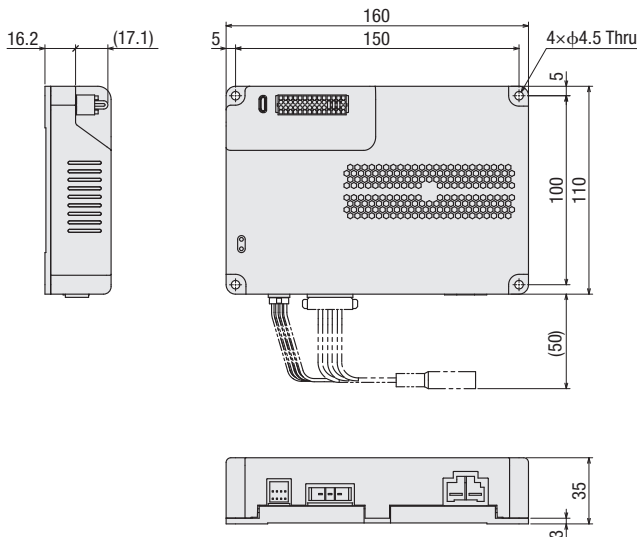
### ●Speed – Torque Characteristics



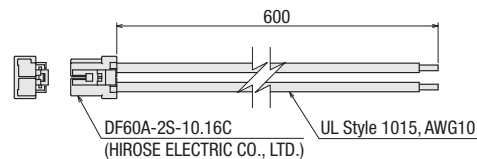
■ is the region with a time rating of 30 minutes. Operation for more than 30 minutes may be possible depending on the ambient temperature and heat radiation conditions.

## Dimensions (Unit = mm)

Product Name	Mass kg
<b>BLVD-KBRD</b>	0.46



Product Name
<b>LC02D06B</b>



Visit [www.orientalmotor.com](http://www.orientalmotor.com)

For further information (specifications, dimensions, speed-torque characteristics)

Printed in USA 24T #615